

USA RE-THERMALIZER

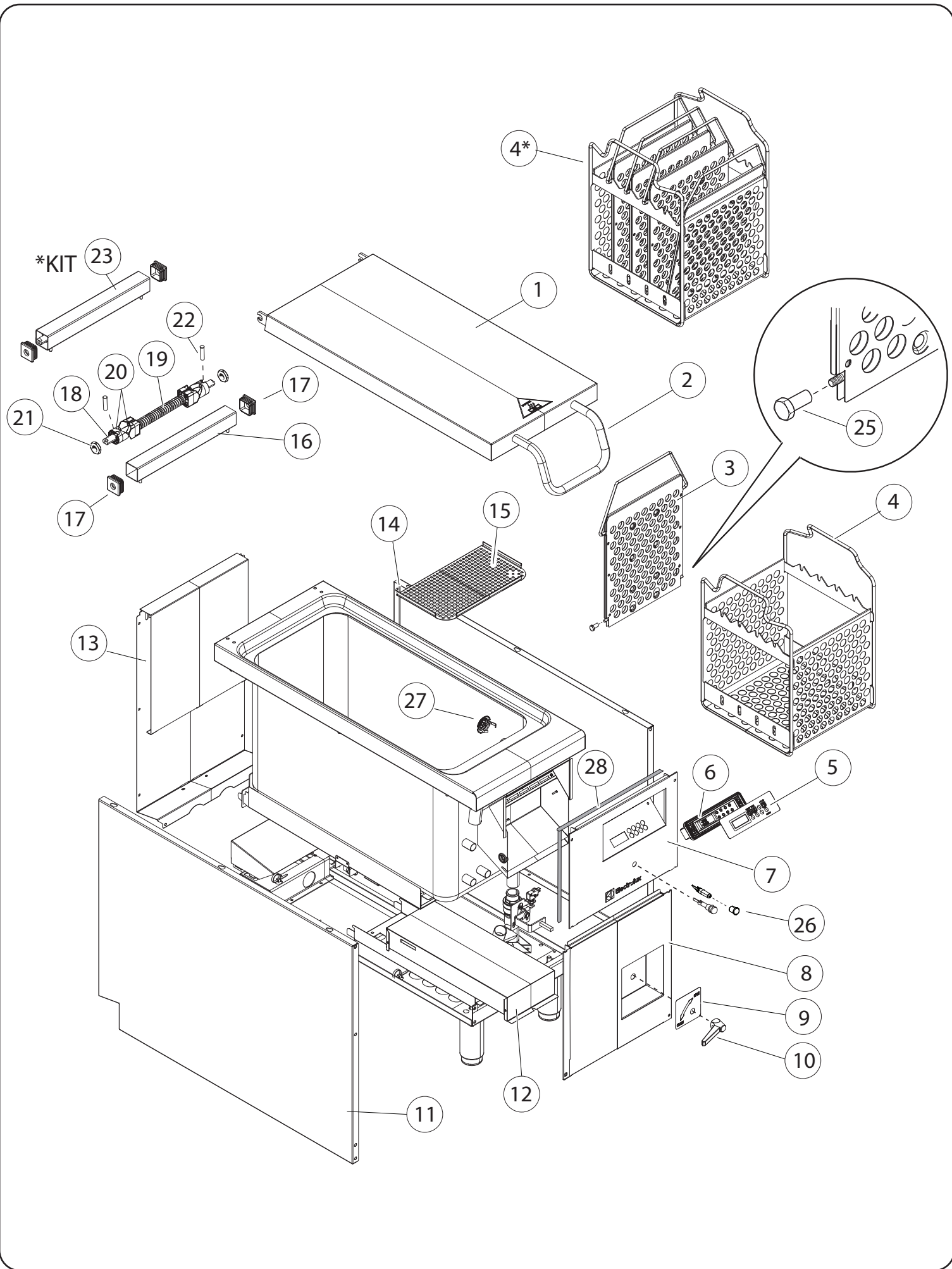
PNC	Description	Ref
391350	RE-THERMALIZER 1X60L - USA 208/60Hz 5Kw	A
391351	RE-THERMALIZER 1X60L - USA 208/60Hz 9kw	B

Index	Page	Notes
General components / componenti	2	
Spare parts list / Lista ricambi	3	
Electrical components / componenti elettrici	4	
Spare parts list / Lista ricambi	5	

Bold=last change / Grassetto =ultima modifica

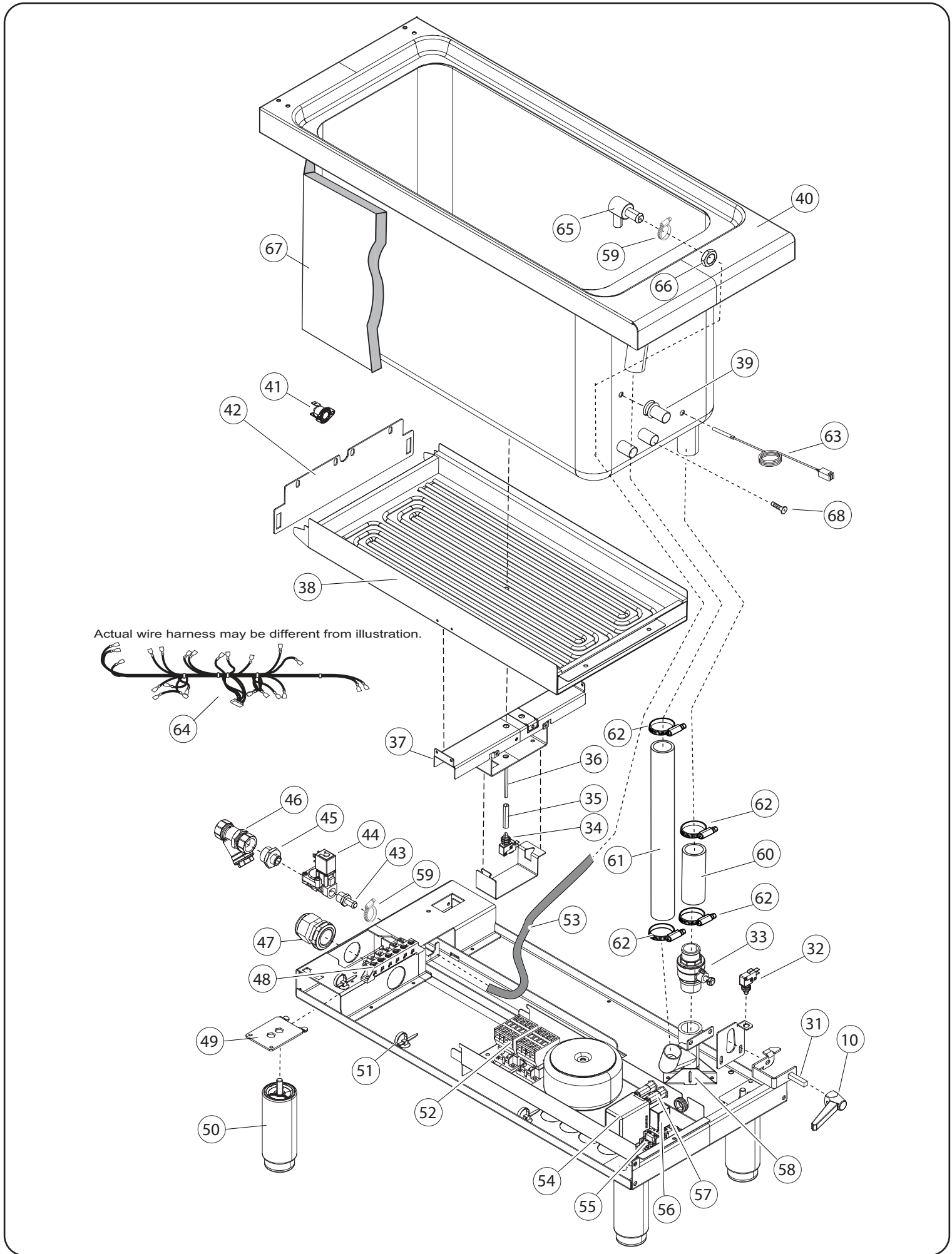
Rev. 3

From Ser. Nr. Up to Ser. Nr.	Ed. 2016-10 Updated 2022-11	Page: 1	Doc No:59785VR00
---------------------------------	--------------------------------	---------	------------------



USA RE-THERMALIZER

Pos	Spare Code	Factory Code	Descrizione	Description	Ref./Notes
1	0CA554	85089MS01	COPERCHIO COMPLETO	COMPLETE LID	
2	0CB124	51589CF01	MANIGLIA	HANDLE	
3	0CA834	83089LN01	DISTANZIALE BUSTE	BAG SEPARATOR	4 pcs per appliance
4*	0CA959	83089N300	KIT BUSTE COMPLETO	KIT COMPLETE HOLDER	4(1pcs)+3(4 pcs)+25 (8pcs)
4	0CA835	83089LM00	SUPPORTO BUSTE	SOUP HOLDER	
5	0CA957	675860S01	MEMBRANA ADESIVA	THERMOREGULATOR STICKER	
6	0CA549	673800A00	TERMOREGOLATORE	THERMOREGULATOR	
7	*	83089LK02	CRUSCOTTO PANERA	CONTROL PANEL PANERA	
8	*	83089LJ01	PANNELLO FRONT.INFERIORE	LOWER FRONT PANEL	
9	*	598889G00	INDICATORE OPEN /CLOSE	OPEN/CLOSE LABEL	
10	056887	835821900	MANOPOLA VALVOLA SCARICO	DRAIN VALVE HANDLE	
11	0CB149	50089AK00	FIANCO SX	LEFT SIDE PANEL	
12	0CB407	50489TX01	COPERCHIO SCATOLA IMP.EL.	EL.BOX COVER	
13	*	50089AM01	SCHIENALE	BACK PANEL	
14	0CB150	50089AL00	FIANCO DX	RIGHT SIDE PANEL	
15	0CA956	50089AU00	FILTRO DI FONDO	WELL FILTER	
16	0CA837	051589CD00	CORPO CERNIERA	HINGE COVER	
17	0CA955	541813S00	TAPPO CANOTTA	HINGE PLUG	
18	0CA839	51489F002	PERNO MOLLA	HINGE SHAFT SPRING	Up to 7471
18	0CB281	51489F003	PERNO MOLLA	HINGE SHAFT SPRING	From 7481
19	0CA840	51489F102	MOLLA	SPRING	
20	0CA951	546825802	COPPIA BOCCOLE ELICOIDALI	PAIR OF CAMS	Up to 7471
20	0CB282	546825803	COPPIA CAMME CERNIERA	HINGE	From 7481
21	0C4202	516896000	DADO FISS. BOCCOLE	NUT, FIXING BUSH	
22	0CA841	219301500	SPINA	PIN	8X32mm
23	0CB495	835878Z02	KIT COMPLETO CERNIERA	KIT ASSEMBLY HINGE	16+17+18+19+20+21+22
25	0CA836	51489F600	BULLONE FILETTO CAVO	INNER THREADED BOLT	8 pcs per appliance
26	005011	876800102	LAMPADA COMPLETA ARANCIO	COMPLETE ORANGE LAMP	
	0C0249	660805600	LAMPADINA	BULB	
	0C2182	655800200	LENTE ARANCIO	ORANGE LENS	
27	0C6960	506899Z01	GRIGLIETTA SCARICO	WELL DRAIN GRID	
28	0C2496	543821900	GUARNIZ. SPUGNA GRIGIA	GRAY SPONGE GASKET	



USA RE-THERMALIZER

Pos	Spare Code	Factory Code	Descrizione	Description	Ref./Notes
10	056887	835821900	MANOPOLA VALVOLA SCARICO	DRAIN VALVE HANDLE	
31	0CB792	80589DC02	PROLUNGA MANIGLIA SCARICO	EXTENSION DRAIN HANDLE	
32	0CA553	640804N00	MICRO SICUREZZA SCARICO	DRAIN SAFETY SWITCH	
33	0CA274	80589CN00	VALVOLA	VALVE	
34	0CA553	640804N00	MICRO SICUREZZA VASCA	WELL SAFETY SWITCH	
35	0C8182	569807501	ASTA CERAMICA	CERAMIC ROD	
36	0CB496	51489DT02	PROLUNGA ASTA MICRO	EXTENSION ROD	
37	0CA958	50489T402	STAFFA SUPPORTO	SUPPORT BRACKET	
38	0CA953	61783AH00	RESISTENZA ELETTRICA	HEATING ELEMENT	B, 208V-9KW
38	0CA952	61783AG00	RESISTENZA ELETTRICA	HEATING ELEMENT	A, 208V-5KW
39	0C9755	541813G03	SUPPORTO SONDA, TEFLON	TEFLON PROBE SUPPORT	
40	0CB718	83089LH03	RIPIANO VASCA	WELL ASSEMBLY	
41	0C6155	653800001	TERMOSTATO DI SICUREZZA	SAFETY THERMOSTAT	
42	*	50489TZ02	STAFFA RESISTENZA	H.ELEMENT BRACKET	
43	*	51489F200	PORTAGOMMA	PIPE ADAPTER	
44	0L2656	696618700	ELETTOVALVOLA	WATER VALVE	
45	*	51489F400	ADATTATORE NIPPLO	ADAPTER	
46	0C4113	806862800	FILTRO CARTUCCIA INGRESSO	WATER FILTER	
47	0C3528	544802400	FERMA CAVO ALIMENTAZIONE	CABLE STOPPER (GLAND)	Ø 37,5 mm
48	0CB719	80589FW00	MORSETTIERA	TERMINAL BLOCK	PDX2019-02
49	0TTG45	50589CD00	STAFFA PIEDE	FOOT BRACKET	
50	0C0204	835856901	PIEDE	FOOT	
51	0DE017	639622800	FASCETTA MESSICANO	CABLE STOPPER STRAP	5X160MM
52	0C5051	648809200	RELE' / CONTATTORE	RELE' / CONTACTOR	
53	0C5829	544819400	TUBO CARICO BLU	BLUE INLET WATER PIPE	
54	0C0937	646813400	REG. LIV.ACQUA (GICAR)	WATER LEVEL REG. (GICAR)	
55	002786	639806401	BASE RELE' FINDER	BASE FOR RELE'	
56	002787	648804201	RELE'	RELE'	
57	*	805408Q00	PORTA FUSIBILE	FUSE HOLDER	
	*	652802900	FUSIBILE 5X20mm	FUSE 5X20MM	630Mamp
58	*	80589DB00	RACCORDO SCARICO ACQUA	WATER DRAIN CONNECTION	
59	*	518613100	FASCETTA, ALIMENTAZIONE	CLAMP BAND, INLET	22MM- 12Ø
60	0C5829	544819400	TUBO SCARICO EPDM BLU	DRAIN PIPE BLUE	100MM-17Ø
61	0CA276	544826400	TUBO TROPPOPIENO	OVERFLOW PIPE	
62	*	518613300	FASCETTA, SCARICO	CLAMP BAND, DRAIN	Ø 25-40MM
63	0CA954	0653800201	SONDA TEMPERATURA	TEMPERATURE PROBE	
64	0CB399	63889B803	CABLAGGIO RE-THERM. 9KW	WIRING HARNESS 9KW	PDX2019-02
65	0CB793	51489F701	GETTO EROGATORE VASCA	TIP INLET	
66	0C8993	516875100	DADO FISS. GETTO	TIP NUT	
67	*	560874000	ISOLAMENTO LANA DI VETRO	FIBERGLASS INSULATION	
68	*	0217083405	VITE (SONDA LIVELLO ACQUA)	SCREW (WATER PROBE LEVEL)	M5X35 UNI 5933 AISI